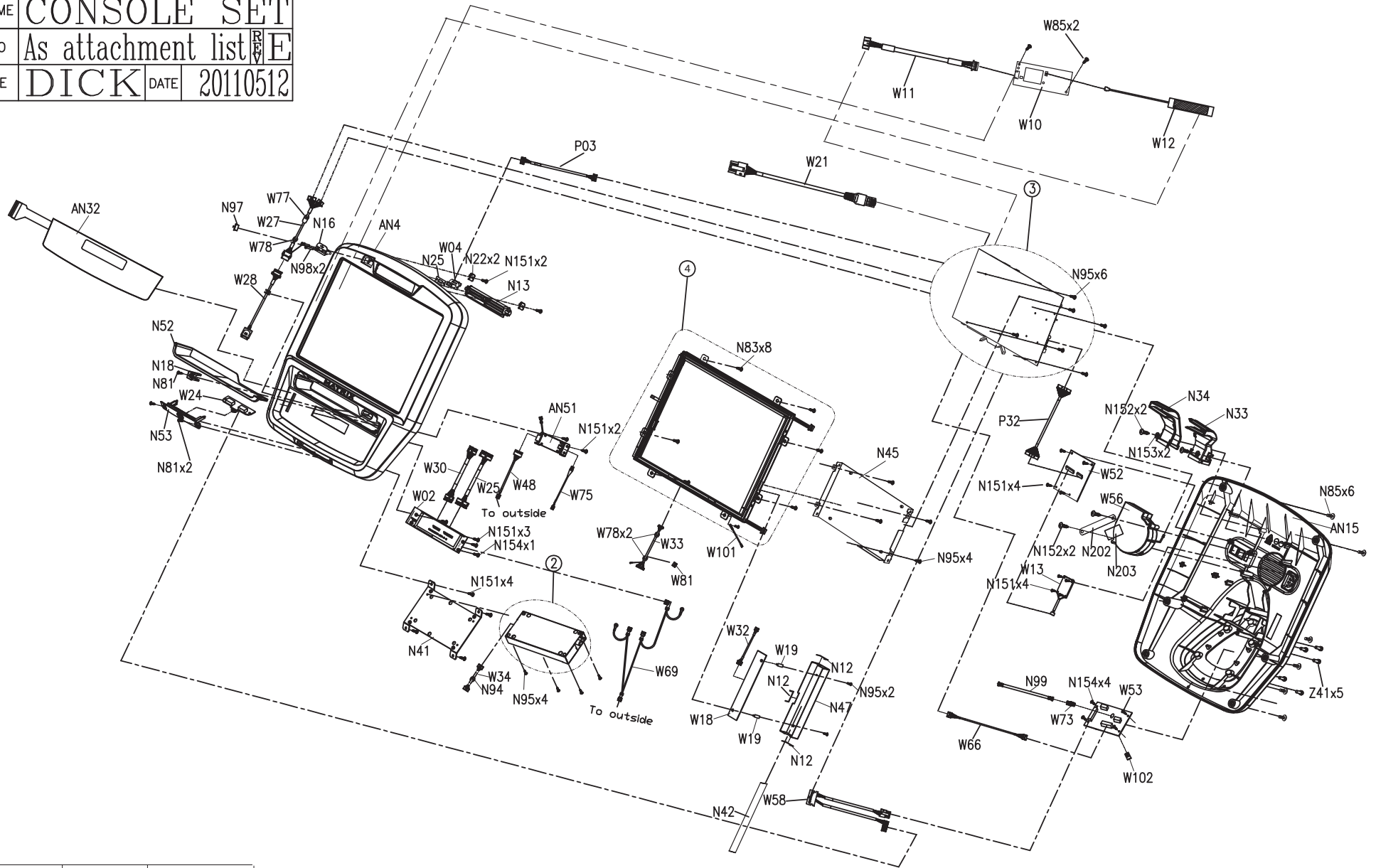
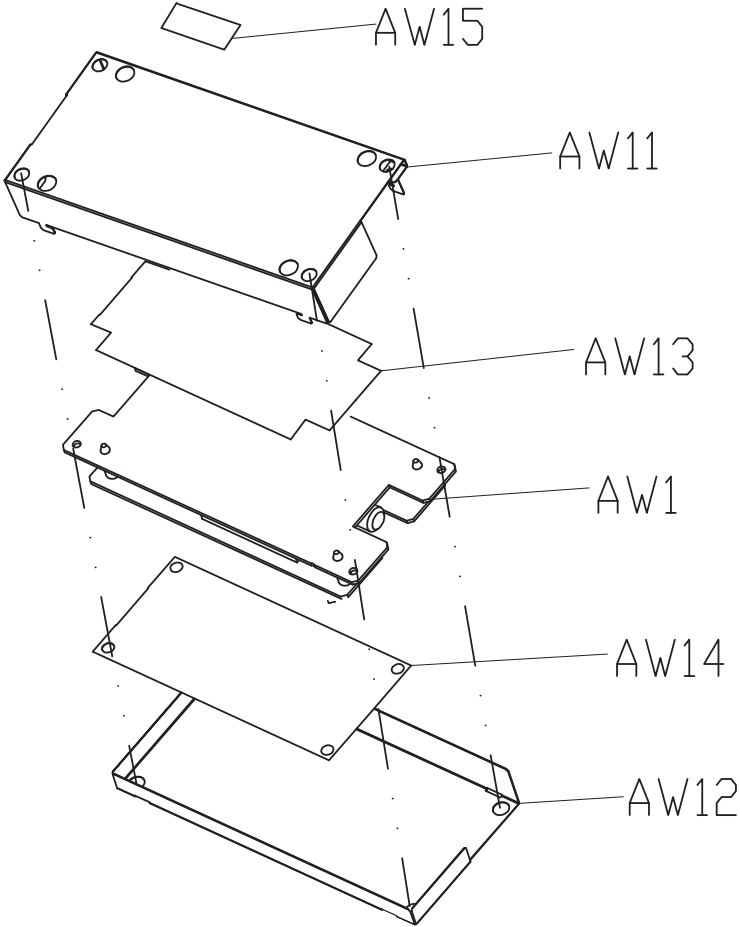


DRAWING NO	EP92F-AN11		
PART NAME	CONSOLE SET		
PART NO	As attachment list 1/E		
APPROVE	DICK	DATE	20110512

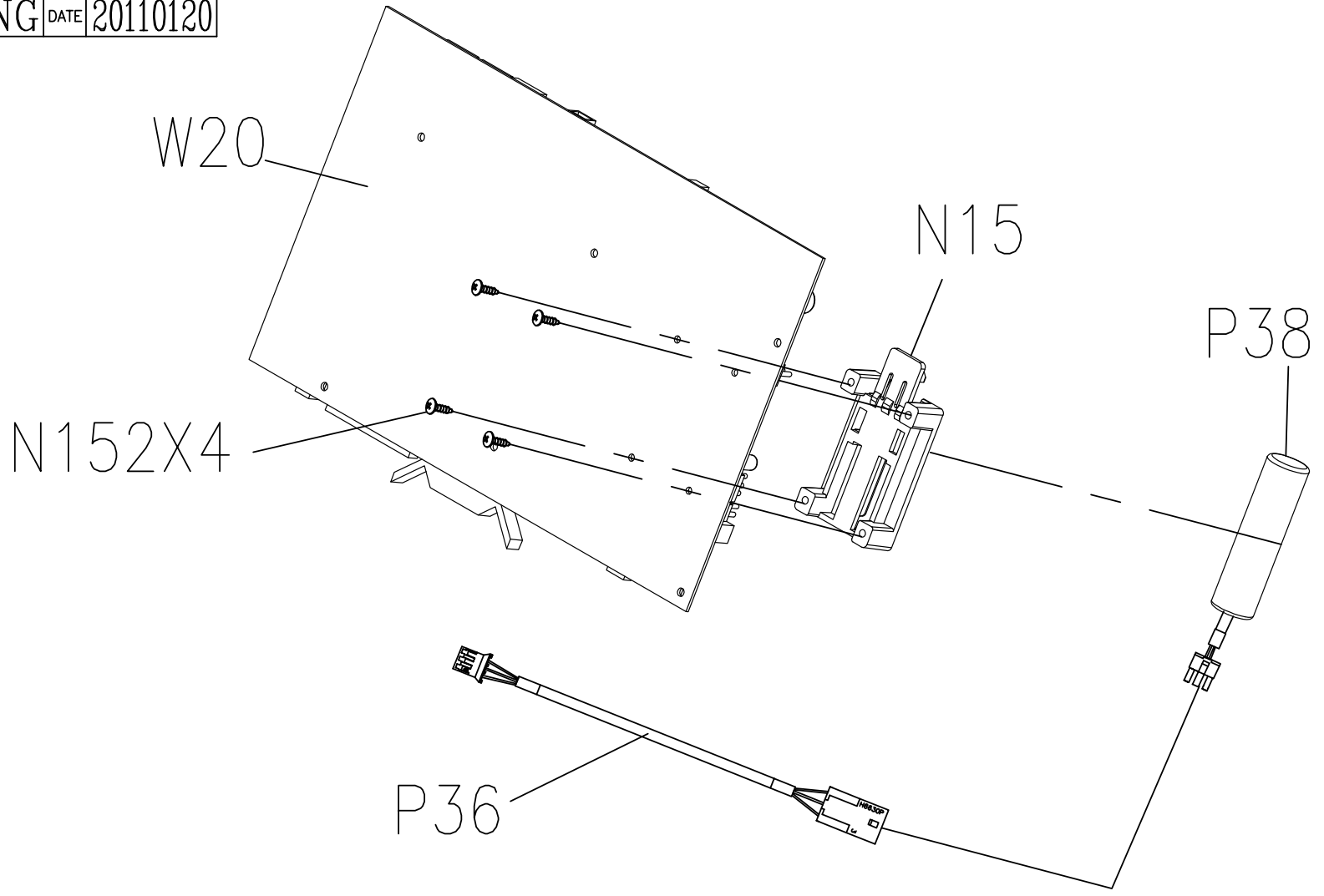


SAP PART NO	LANGUAGE	COMMOND TYPE
0000095288	English	EP92F-US-C

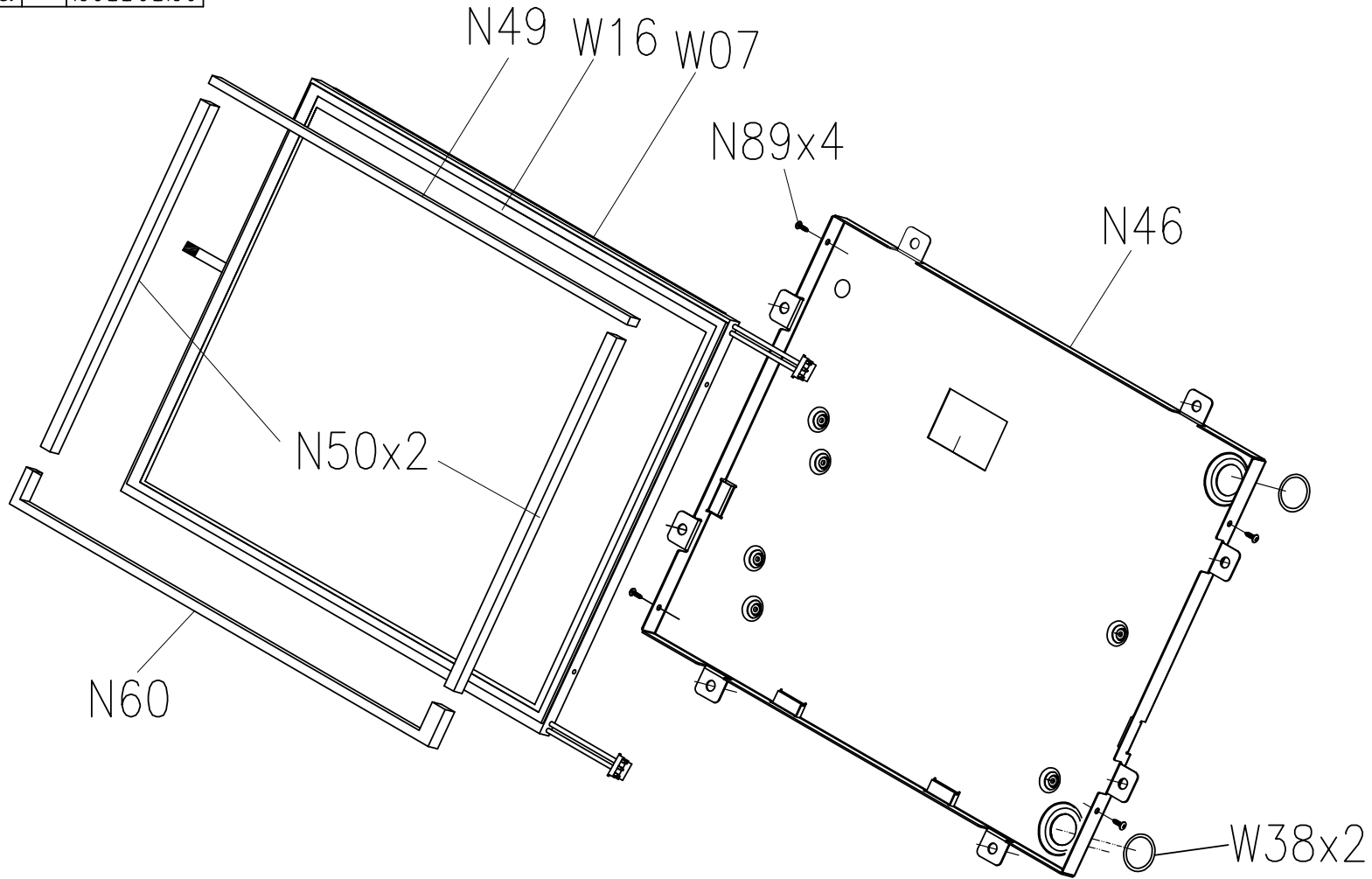
DRAWING NO	TM502-AW31		
PART NAME	TUNER Module Set		
PART NO	As attachment list Ⅱ B		
APPROVE	SHUYI	DATE	09.29.10



DRAWING NO	EP91C-AW32		
PART NAME	CONTROL BOARD SET		
PART NO	0000095289	REV	A
APPROVE	YUTING	DATE	20110120



DRAWING NO	EP92F-AW31		
PART NAME	PANEL BOARD SET;15 INCH TFT LCD		
PART NO	1000208586	REV	A
APPROVE	YUTING	DATE	20110120



Bubble#	Part #	Description	Notes	
2	1000425274	Tuner Module REV 2.0 S20170417 US for	New style tuner. Used in production since 9/7/2012. The new style tuner is backwards compatible. Please see the document "AverMedia Tuner" in Parts Replacement, "AverMedia Tuner Programming" guide in Console Information, or the video "New TV Tuner Replacement" on the Matrix Fitness YouTube page for replacement instructions.	
AN15	1000208238	Cover Console Back Printing EP		
AN4	1000208248	Cover Overlay 15 INCH PR OV EP92F		
AN51	1000208535	Heart Rate Board Set SALUTRON 8600 EP93C		
N12	0000089486	Bushing KSS Moveable KG-008 10M/Reel		
N13	0000087056	Vent Fan ABS/PA-746 Pantone:877C TM501		
N15	1000208781	Plastic BASE U ABS/PA746 PA:60461 T7x-03		
N151	008864-A	Screw Special Round 2.9x1.06Px7L(Hi-Lo)		
N152	008866-A	Screw Special Round 4.0x1.34Px12L(Hi-Lo)		
N152	008866-A	Screw Special Round 4.0x1.34Px12L(Hi-Lo)		
N153	005157-A	Washer Flat 4.3x12.0x1.0T Black Zinc		
N154	008865-B	Screw Special Round 2.9x1.06Px12L(Hi-Lo)		
N16	1000210553	USB EP90B		
N18	0000089261	Cover IPOD Fixing ABS/PA746 Deep Grey 80		Order this cover if a console uses an iPod cable. If the console's iPod cable has been removed, order the cover 0000093006.
N202	0000092696	Fixing Plate Fan 0.8t T5x-02		
N203	0000095575	Tape Foam One-Sided 50x15x1.5T		
N22	1000216152	Fan ADJ Plate SUS304 0.3t T9000		
N25	1000212322	Shim Rubber D NBR BLACK TM507C		
N33	0000086064	Cover Console Right ABS/PA-746 BL TM501		
N34	0000086065	Cover Console Left ABS/PA-746 BL TM501		
N41	0000091621	Fix Plate Tuner MX-E7X-C US EP91		
N42	0000088888	insulation Plate INVETER PC 8B35 3M-467		
N45	0000086531	Fix Plate PCB 1.0t TM502		
N46	0000086532	Fix Plate 15 Inch 0.8t TM503		
N47	0000086533	Bracket Isolation Board Cover 0.6t TM503		

N52	0000088790	Anti-Slippery Pad TPR+30%PP BL MX-E5XC-F	
N53	0000089506	TV Earphone Wire Cover ABS/PA746 80435	
N81	0000088743	Screw TRH M3x.5Px6L MT PH CST ZNC F-T	
N83	004627-00	Screw Phillip BH Tapped 5x12L	
N85	004385-00	Screw BH M5X0.8PX12L PH BAN	
N89	020005-00	Screw Phillip Round M3x6L Zn-BL	
N94	003383-A	Ferrite Choke FH0900B-2 Lian Ci TM38	
N95	020005-00	Screw Phillip Round M3x6L Zn-BL	
N97	0000083278	USB Cover USB-03	
N98	1000211294	Screw FH M3X0.5PX30L - PH BZN	
N99	069851	Console TV Cable Extended Wire 250L(FM-0086-N	
Not Shown	1000211038	WIRE TV PWR EXT 1000(TKP H6630R1-04 DC2	Entertainment-See Entertainment Master on TV product page
Not Shown	015267-AE	Fixing Plate Right TV	Entertainment-See Entertainment Master on TV product page
Not Shown	018141-AE	Fixing Plate TV Left	Entertainment-See Entertainment Master on TV product page
Not Shown	001399-BA	Rubber Pad TV Rack Rubber EP68-C10B	Entertainment-See Entertainment Master on TV product page
Not Shown	065248-A	TV Coax Adaptor Female F-A028-NBX7-C	Entertainment-See Entertainment Master on TV product page
Not Shown	005005-00	Washer Spring Lock 8.2x15.4x2.0t	Entertainment-See Entertainment Master on TV product page
Not Shown	004762-00	Screw Hex Socket BH M8x1.25Px70L	Entertainment-See Entertainment Master on TV product page
Not Shown	004926-00	Nut Nylon M8x1.25P	Entertainment-See Entertainment Master on TV product page
Not Shown	1000369229	TV Signal Connector PAL MALE TO F FEMALE	Coax adapter for tuner.
Not Shown	ZMS4004742	Silicon Plug, 0.25"0.125"0.75" Black	After removing the iPod cable, customers may use this plug to seal the hole that is left on the console. Trim the plug to the correct size after fitting in hole. Note: customers may use either the plug or the iPod eliminator cover (0000093006).

Not Shown	0000093006	Cover IPOD Fixing ABS/PA746 80435 MX-E5X	Per customer request. Note: Cover removes the options for iPod connectivity. To install, disconnect and remove iPod cable from console and conceal input with cover.
Not Shown	1000329072	IPOD Wire Cover I-POD wire used	
Not Shown	ZMS4001285	Velcro pads (1 pair) for 900MHZ Receiver	
Not Shown	ZMS4000947	VA KIT-10 ASCENTS/TREADS	
Not Shown	ZMS4001266	Connection Cable for 900MZ Wireless Modu	
Not Shown	028601-BR	TV Signal Wire 800 (5CFx2 EP68-P21B-2940 U5X	Entertainment-See Entertainment Master on TV product page
Not Shown	1000211037	WIRE NETWORK SIGNAL 1000(TKP H6630R1-08+	Entertainment-See Entertainment Master on TV product page
P03	1000210330	Wire Connect USB 250(JST,XAP-06V-1)x2	
P32	1000206777	C Safe+TV Connect Wire 200(TKP H20J2-15x	
P36	1000207108	Battery Con Wire 200(TKP H110-03S+TKP H6	
W02	0000089691	TV Control Board Set TM503 T7xe	
W04	0000095231	Control Board USB H001 U105A5 EP603	
		MO WIFI WIRE	
		TM503F/TM503G/TM502D/TM502E - D/C, NO	
W10	1000228298	REPL Part will show as orderable until stock is depleted	
W101	0000081594	Pulse Wire 150(FDFNYD2-250-1+546BS-2) TM	
W102	1000201693	Exchange connectorl KST DWTSFSOLR	
W11	1000217073	Wire CONNECT WIFI 200(JS-1253-06+JST,XAP	
W12	1000216927	WIFI Antenna 250(WPB105 MINI 1.13 2.4GHz	
W13	0000086684	Speaker Set AK-402808BC-3T+280+XAP-02 TM	
W18	1000208207	Inverter Board Set TM503 T7xe	
W19	010515-00	Copper Pillar M3x12L	
W20	1000410712	REFURB PCB Second hand EP92F	
W20	0000095289	NEW UCB EP92F	
W21	1000217094	Wire NET 550(TKP,H6630R1-08AMP 569532)	

W24	1000366515	Earphone board set EP620
W24/W58	1000404540	Earphone board set Earphone board set
W25	0000091027	LCM Wire 130L(H6630R1-18)x2
W27	0000092303	Wire Ipod 500(JST XADR-16+PAP-06/-10)
W28	1000353343	Ipod Extend Wire 300(MFI512S0017+
W30	0000091028	TV Key Wire 160L(H6630R1-14)x2
W32	0000085779	Wire Inverter 310(TKP-H110-05+PAP-04V-S) LVDS Wire 15 Inch TFT LCD 410(HRS DF14H- 20P+D
W33	0000085415	
W34	0000092145	Signal Wire Tuner 350L(PAP-12V-Sx2)
W38	0000086852	Rubber Ring GM-5
W48	1000206790	Hand Pulse Sensor Wire 350L(2510A-06,TKP
W52	0000095247	C-Safe E LEAD 3P00DMJE001-0A EP92F Control Board H001 COATING EP93C - D/C, NO REPL Part will show as orderable until stock is depleted
W53	1000207029	
W56	061339-B	Fan DC12V/0.3A PMB1297PYB3-AY EP70
W58	1000356740	Quickly Key Wire 200+250(TKP,H254M
W66	1000206779	Console Cable 250(MOLEX,50-57-9408+MOLEX,
W69	0000092381	Console Ground Wire 130+220+250(KST FDFN
W73	065248-A	TV Coax Adaptor Female F-A028-NBX7-C
W75	0000092217	Heart Rate Power Wire 250L(2510A-03+XAP-
W77	003386-A	Ferrite Core T31x16x19-C
W78	0000090551	Ferrite Choke FH0850B T7xe
W81	001679-00	Tie Strap Adhesive Nylon 66 HC-101 W
W85	0000092776	Screw Phillip Round M2x0.5Px8L Adhere
Z41	0000087672	Screw Hex Socket Round M5x0.8Px8L
1	ZMF4000335	Console Set, WIFI-Universal 7XE
1	ZMF4000376	Console-HURESA7XE,RF,RC

Earphone board + cover. Only send this part if the customer has the upgraded, 9-pin connecting wire. See service bulletin "Earphone Board Update".

Kit that includes W24 and W58. See service bulletin "Earphone Board Update".

Quick keys/toggles plug into this board.

1	ZMF4000362	Console,A7XE,10pk VA,RF,RC	
1	ZMF4000350	Console,A7XE,10pk VA,WIFI,RC	
1	ZMF4000351	Console,A7XE,20pk VA,WIFI,RC	
3	Order Parts Separat UCB Set EP92F		
4	Order Parts Separat Panel Board Set 15 INCH TFT LCD EP92F		
AW1	Part of Kit 2	Tuner Module Set A+D ATSC TV US H2.0/S20	
AW11	Part of Kit 2	Isolation Plate UPPER Tuner SUS430 0.3t	
AW12	Part of Kit 2	Isolation Plate UNDER Tuner SUS430 0.3t	
AW13	Part of Kit 2	Insulation Plate UPPER PC 0.254t T7xe	
AW14	Part of Kit 2	Insulation Plate UNDER PC 0.254t T7xe	
AW15	Part of Kit 2	Special Decal Tuner	
Not Shown	ZMS4000948	BIKES - Virtual Active Board Kit (10 Map Pack)	
Not Shown	ZMS4000949	EP / STEPPER - Virtual Active Board Kit (10 Map Pack)	
Not Shown	ZMS4001139	Ascents/EP/Stepper-Virtual Active Board Kit (20 Map Pack)	
Not Shown	ZMS4001140	Bikes-Virtual Active Board Kit (20 Map Pack)	
W16	Part of W07	Backlight Panel TOUCH PANEL	
2	0000089690	Tuner Module Set	Discontinued - Discontinued
2	1000232091	Tuner module set	Discontinued - Discontinued -
AN32	1000208250	Overlay Set TV ENGLISH EP92F	Discontinued
N22	0000080710	Fan Adjustment Plate SUS304 0.3t TM98-N11C	Discontinued - Discontinued
		Foam Overlay 1 315.5x4.0x1.0t Rubber/BL \\ D/C, NO REPL: Part will show as orderable until stock is depleted.	Discontinued
N49	0000087846	Foam Overlay 2 230.5x4.0x1.0t Rubber/BL \\ D/C, NO REPL: Part will show as orderable until stock is depleted.	Discontinued
N50	0000087847	Foam Overlay 3 323.5x4.0x1.0t Rubber/BL \\ D/C, NO REPL: Part will show as orderable until stock is depleted.	Discontinued
N60	0000087848	Foam Overlay 3 323.5x4.0x1.0t Rubber/BL \\ D/C, NO REPL: Part will show as orderable until stock is depleted.	Discontinued

		LI BATTERY 2200MA/H EP606 \\ D/C, NO REPL: Part will show as orderable until stock is depleted.	Discontinued
P38	1000207104		
W02	0000085409	Control Board TV U07AB4-H001 TM503 Coati 15 Inch TFT LCD Module Set TM503 T7xe \\ D/C, NO REPL: Part will show as orderable until stock is depleted.	Discontinued
W07	1000224777	Control Board WIFI MODULE Set LR802UKN3 // D/C, NO REPL: Part will show as orderable until stock is depleted.	Discontinued
W10	1000216928		Discontinued - Discontinued
W20	1000218549	CONTROL BOARD SET LMM REPLACE EP92 NON V	Discontinued
W20	1000208588	Control Board 15 INCH LMM H001 GUI3.0 OS	Replaced by 1000218549.
W24	1000365782	Earphone board set EP91	Discontinued
W24	1000363348	Earphone board set Service for mainten	Discontinued - Discontinued
W24	0000094434	Ear Phone Board Set	Discontinued
W24	1000365782	Earphone board set EP91	
W28	1000346761	Ipod Extend Wire 175(APPLE MFI5120	Discontinued - Discontinued
W28	1000353343	Ipod Extend Wire 300(MFI512S0017+	Discontinued
W28	1000353343	Ipod Extend Wire 300(MFI512S0017+	Discontinued
W28	0000085414	EXT Wire Ipod 175(APPLE MF1517-0433+JST	Discontinued - Discontinued
W28	1000346761	Ipod Extend Wire 175(APPLE MFI5120	Discontinued - Discontinued
W58	1000230082	QUICKLY CONNET WIRE 200+250(TKP,H254M2-2	Discontinued - Discontinued
W58	1000356740	Quickly Key Wire 200+250(TKP,H254M	Discontinued
W58	1000208556	Wire QUICK CONNECT 200x2(TKP,H254M2-2x10	Discontinued - Discontinued
W58	1000230082	QUICKLY CONNET WIRE 200+250(TKP,H254M2-2	Discontinued